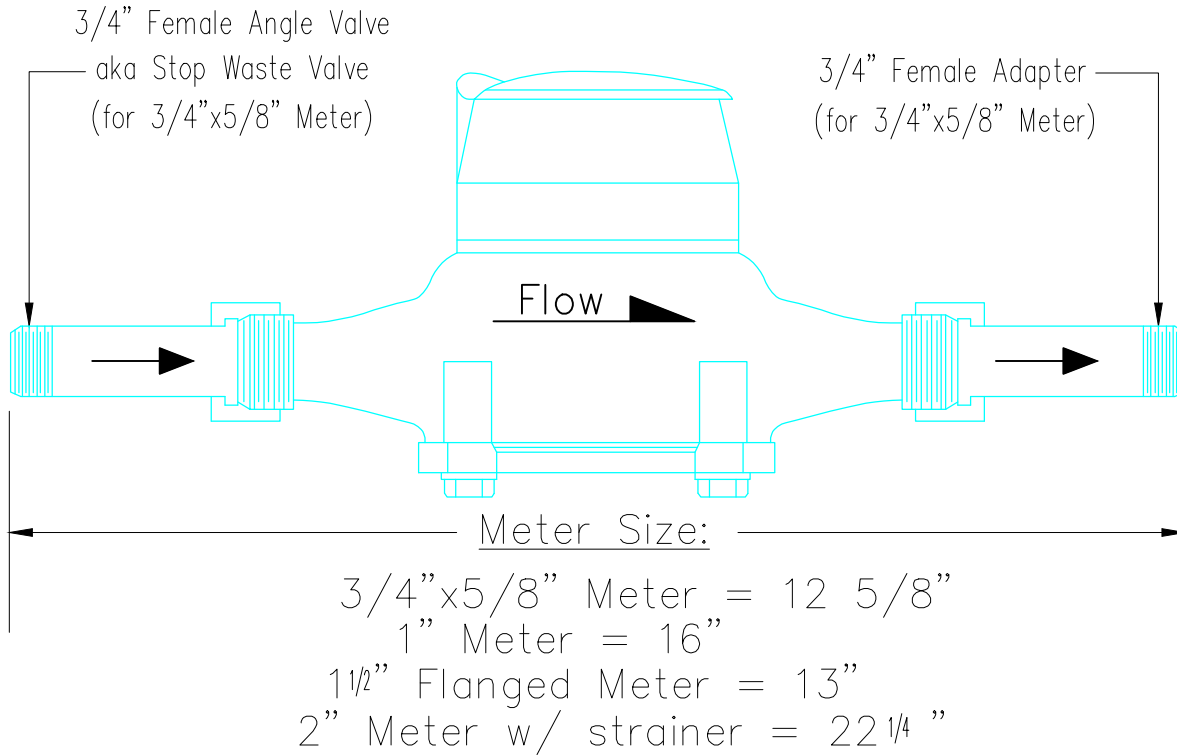


# Trumbull County Sanitary Engineers Meter Install



Pipe to be 250 psi CTS DR9 polyethylene tubing w/ tracer wire or Type K Copper.

\*\*\*\*\*

Meter to be installed by the County. (330-675-7749)

\*\*\*\*\*

Owner will need to provide and have installed the appropriate adapter and angle as shown above before receiving installation of a cold water meter.

\*\*\*\*\*

Meters shall be installed in a horizontal position as shown above.

\*\*\*\*\*

Your plumber should check the pressure at the end of the water service. If the pressure exceeds 75 psi, Trumbull county recommends you install a pressure reducer. Pressure reducers are to be placed after the meter.

\*\*\*\*\*

Backflow preventers are to be placed after the meter and an expansion tank is required. The expansion tank is to be placed between the backflow preventer and the hot water tank.